

# How to Measure Your Mirror

Fill out the measurements below.

You'll have everything you need to order at [mirrormate.com](http://mirrormate.com).

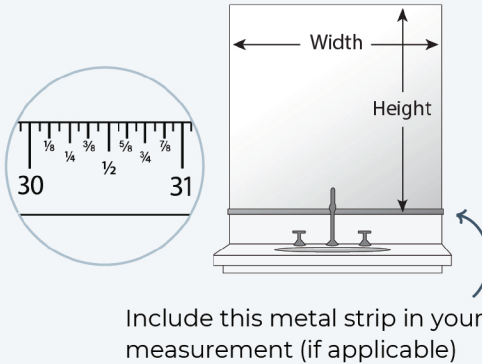
Mirror sizes vary, so each mirror **MUST** be measured separately.

1

## MIRROR MEASUREMENTS (in inches)

Measure the mirror to the nearest 1/8 inch. If between 1/8", round down.

(Ex.: Your measurement is more than 1/4" but less than 3/8", round down to 1/4")



WIDTH   
e.g. 48 1/2"

HEIGHT   
e.g. 36 5/8"

2

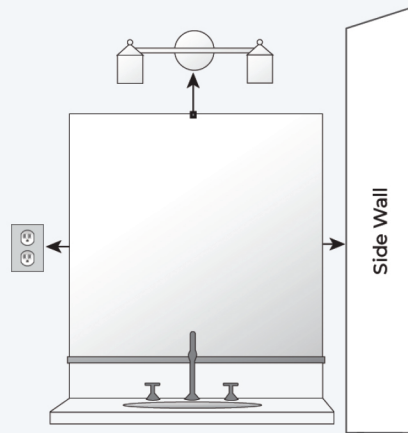
## MIRROR PLACEMENT

Measure the distance from each edge of the mirror to nearest wall, outlet, backsplash, fixture etc.

No room? Just enter 0".  
More than 5/8"? Just enter 5/8"+.

### Why do we need this information?

When possible we extend the frame beyond the mirror up to 5/8" to hide the mirror's edge.



TOP   
e.g. 5/8" +

LEFT   
e.g. 3/8"

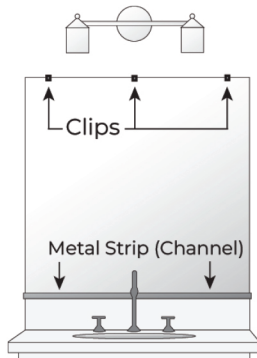
RIGHT   
e.g. 1/8"

BOTTOM   
e.g. 0"

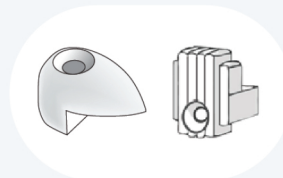
3

## MIRROR ATTACHMENT

Do you have clips or a channel holding your mirror? **If yes**, tell us where.

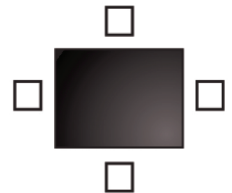


ARE YOUR CLIPS PLASTIC, AND DO THEY LOOK LIKE THIS?



YES

**If Yes**, they may not work with the frame. We will send replacement clips FREE.



SELECT LOCATION(S) MIRROR HAS CLIPS OR A METAL STRIP