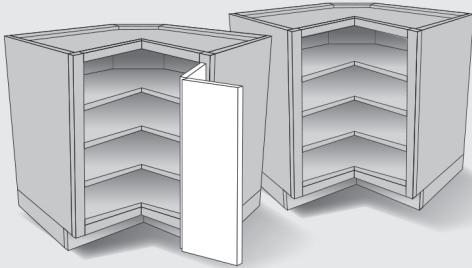


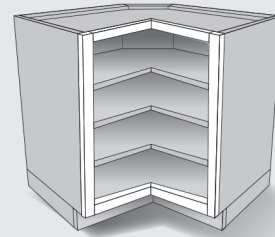
Refacing Ordering Guidelines

You have these conditions:

Inside Square Corner "Lazy Susan" Existing Doors or No Doors



Framed Cabinet



NOTE 1: Your new doors will have a 1/2" overlay.

NOTE 2: Your new doors will not overlap where they meet in the corner.



Determine your door front sizes:

1. Download our helpful form to record your information the same way our website will ask for it.
2. Measure your cabinet opening to the closest 1/16" (0.0625").

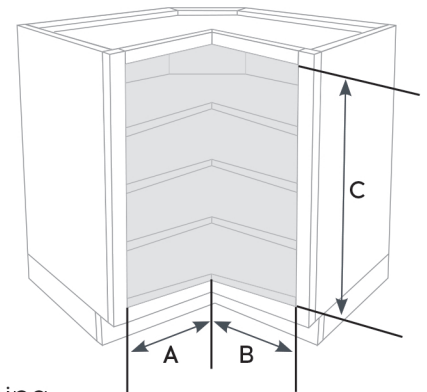
To determine the width:

- Measure the width of each opening from the frame to the inside corner (Dimension A & B) as shown in Exhibit 1.
- Subtract 3/8" (0.375") to each width (A & B) to get the width of each door.

To determine the height:

- If you have doors and/or drawers on cabinets next to the opening, measure the total height from the top to the bottom of adjacent doors to get the height of each door that matches.
- If you have no adjacent doors to match, measure the height of the opening (Dimension C) and add 1" to get the height of each door.

Exhibit 1



3. Write the dimensions you need on the measurement form.



What to order:

1. Order 2 doors to cover opening with the dimensions determined above.
Select Part Type: "Door, ISQC, hinge to cabinet" and "Door, ISQC, hinged to door."
2. We will provide an install kit with instructions, all hinges and hardware needed.